

3M™ Easy Adjust Dual Monitor Arm



Mount two monitors or
notebook computer and monitor



Cable management



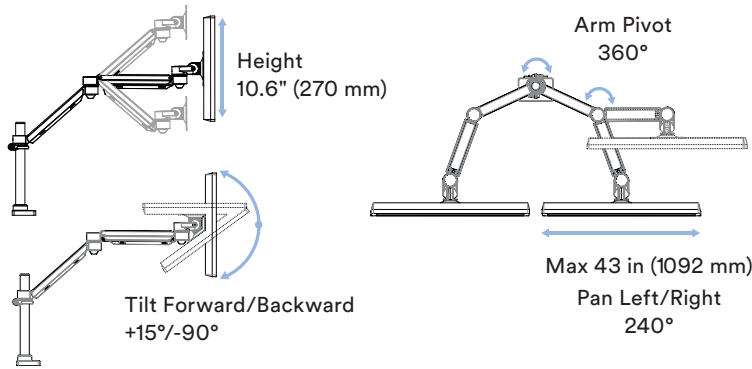
Clamp and grommet mount

MA265S

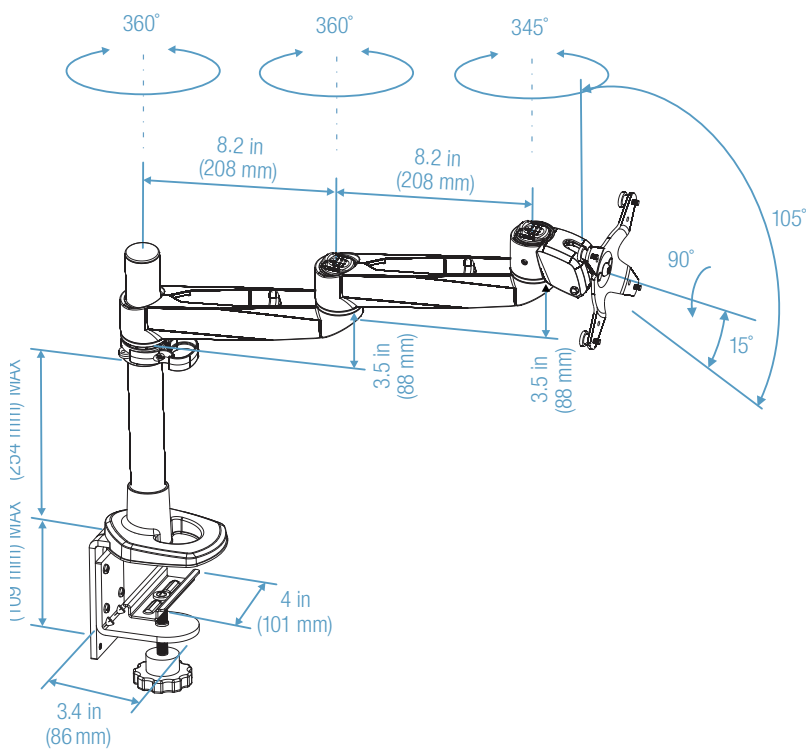
Use a monitor arm to free up space on your desk and easily move your monitor into a comfortable viewing height. Highly adjustable arms move up, down, forward and back with just a touch. A dual monitor arm allows you to experience the productivity benefits of two displays by mounting a second LCD display or notebook, increasing the size of your computer's display.

- Height adjusts through 10.6" (269 mm) range
- Swivels 180° and tilts forward and back +15°/-90° for optimal ergonomic positioning
- Includes clamp mount hardware which fits desks up to 4" (102 mm) thick and grommet mount hardware which fits desks up to 1.75" (44 mm) thick
- Monitor can rotate portrait or landscape
- Weight capacity of 20 lbs per arm
- Monitor screen size ≤ 30"
- VESA MIS-D 75 mm x 75 mm and 100 mm x 100 mm compatible
- 5 year warranty

Range of Motion



Dimensions



MALAPTOP2



3M Stationery & Office Supplies Division
Consumer & Office Business
3M Canada
 London, ON N6A 4T1
 Call 1-800-3M-HELPS (364-3577)
www.3M.ca/ergo

3M, Precise and 3M Science.
 Applied to Life. are trademarks of
 3M. Used under license in Canada.
 © 2016, 3M. All rights reserved.
 160305065 E BA-16-21223

Easy Adjust System

The easy adjust system lets the user change the height of their display with just the touch of a finger – and the display stays where it's positioned!

The easy adjust technology is reliable and robust. 3M Easy Adjust monitor arms can last for thousands of cycles without failing.

Specifications

Features Easy Adjust Technology	Yes
Monitor Weight Capacity lbs (kg)	20 (9.1)
Notebook Weight Range lbs (kg)	4.4-20 (2-9.1)
Height Range of Adjustable Segments	10.6" (269 mm)
Tilt Range Forward/Backward	+15°/-90°
Swivel Left/Right	180°
Rotation Portrait/Landscape	360°
VESA MIS-D 75 mm and 100 mm Compatibility	Yes
Clamp Mount Max Surface Thickness	4" (102 mm)
Clamp Mount Min Surface Thickness	.5" (13 mm)
Grommet Mount Max Surface Thickness	1.75" (44 mm)
Grommet Mount Min Hole Size	.5" (13 mm)
Grommet Mount Max Hole Size	3" (76 mm)
Max Extension Length	24.5" (622 mm)
Max Mount Plate Height From Surface	27.5" (698 mm)
Min Mount Plate Height From Surface	7" (178 mm)
Warranty Years	5

Monitor Arm Laptop Tray Attachment MALAPTOP2

Use the laptop support on your monitor arm to position your laptop at the optimal level for viewing and create more room on your desk.

- Mounts directly to 3M™ Easy-Adjust Monitor Arms (MA265S & MA245S)
- Height and swivel adjustability to promote optimal viewing of laptop screen
- Anti-skid pads hold laptop in place